

---

---

# ONLINE EVENT

---

---

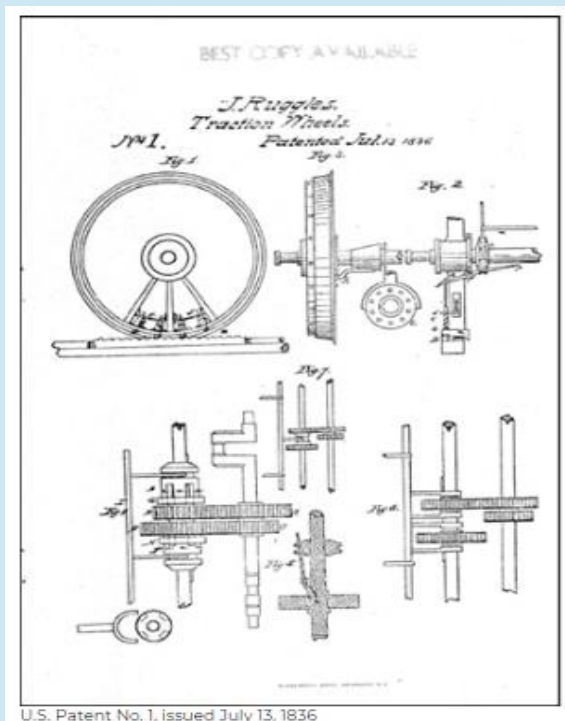
9TH ANNUAL

PROCEEDINGS OF THE SOCIETY OF PATENT LAWYERS OF CANADA

# PATENT COLLOQUIUM

FRIDAY, NOVEMBER 20, 2020

10:00 AM - 3:15 PM



## Program

10:00-10:10 am Opening Remarks

10:10-11:40 am - The Role of the Expert Witness and the Interplay between Counsel and Expert in Preparing Reports: How Much Involvement Is Too Much?

12:00-1:30 pm - Summary Judgement and Summary Trial in Patent Cases

1:45-3:15 pm - Patent Litigation by Zoom, Pros and Cons

3:15 – Closing Remarks

For more information, e-mail:  
[centre.ilp@utoronto.ca](mailto:centre.ilp@utoronto.ca)

Register (free) in advance for this webinar:

[https://zoom.us/webinar/register/WN\\_2kFAduG9SGiarCNKxMxwtg](https://zoom.us/webinar/register/WN_2kFAduG9SGiarCNKxMxwtg)

ORGANIZED BY :



UNIVERSITY OF TORONTO  
FACULTY OF LAW



CENTRE FOR  
INNOVATION LAW  
AND POLICY